

TEAC



SERVICE MANUAL

DV-H550

DVD Player



CONTENTS

1 SAFETY INFORMATION	2
2 SPECIFICATIONS	3
3 EXPLODED VIEWS AND PARTS LIST	4
4 ELECTRICAL PARTS LIST	8
5 INCLUDED ACCESSORIES	9

目次

1 SAFETY INFORMATION	2
2 仕様	3
3 分解図とパーツリスト	4
4 電気パーツリスト	8
5 付属品	9

NOTES

- The parts with no reference number or no parts number in the exploded views are not supplied.
- As regards the resistors and capacitors, refer to the circuit diagrams contained in this manual.
- △ Parts marked with this sign are safety critical components. They must be replaced with identical components - refer to the appropriate parts list and ensure exact replacement.
- Parts of [] mark can be used only with the version designated.
[J]: JAPAN [US]: U. S. A. [C]: CANADA [E]: EUROPE [UK]: U. K.

注 意

- 分解図に部番のない部品および品番のない部品は供給できません。
- 標準の抵抗、コンデンサーは省略してあります。回路図を参照してください。
- △印は安全重要部品です。交換する時は必ず指定の部品を使用してください。
- 仕向先
[J]: JAPAN [US]: U. S. A. [C]: CANADA [E]: EUROPE [UK]: U. K.

1 SAFETY INFORMATION

This product has been designed and manufactured according to FDA regulations "title 21, CFR, chapter 1, subchapter J, based on the Radiation Control for Health and Safety Act of 1968", and is classified as a class 1 laser product. There is no hazardous invisible laser radiation during operation because invisible laser radiation emitted inside of this product is completely confined in the protective housings.

The label required in this regulation is shown ①.

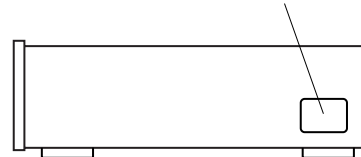
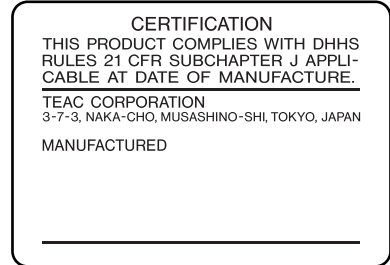
● CAUTION

USE OF CONTROLS OR ADJUSTMENT OR PERFORMANCE OF PROCEDURES OTHER THAN THOSE SPECIFIED HEREIN MAY RESULT IN HAZARDOUS RADIATION EXPOSURE.

Optical pickup:

TYPE	: DVD-1000J22B
MANUFACTURER	: Hitachi Media Electronics Co. Ltd
LASER OUTPUT	: Less than 0.5 mW on the objective lens
WAVE LENGTH	: 635 - 665 nm (DVD)
	: 790 ± 20 nm (CD)

① For U.S.A.



2 SPECIFICATIONS

仕様

DVD Player

Signal system: NTSC / PAL

Laser: Semiconductor laser

Frequency range (digital audio): 2 Hz to 22 kHz

Signal-to-noise rating (digital audio): More than 105 dB

Audio dynamic range (digital audio): More than 92 dB

Harmonic distortion (digital audio): 0.008%

Wow and flutter:

Below measurable level (less than $\pm 0.001\%$ (W.PEAK))

Operating conditions:

Temperature: 5°C to 35°C

Operation status: Horizontal

Outputs

Video output:

RCA jack x 1

1.0 Vp-p, 75 Ω , negative sync.

S-video output:

Mini DIN 4-pin x 1

(Y) 1.0 Vp-p, 75 Ω , negative sync.

(C) 0.286 Vp-p, 75 Ω

Component Video output (U.S.A./Canada Model):

RCA jack x 1

(Y) 1.0 Vp-p, 75 Ω

(CB, CR) 0.7 Vp-p, 75 Ω

Audio output (digital audio):

RCA jack x 1, 0.5 Vp-p, 75 Ω

Audio output (analog audio):

RCA jack x1, 2.0 Vrms (1 kHz, 0.8 dB)

AV connector output (Europe/U.K. Model):

SCART jack x1

General

Power supply:

AC 120V, 60Hz (U.S.A./Canada Model)

AC 230V, 50Hz (Europe/U.K. Model)

Power consumption: 18 W

Weight: 3.3 kg (7-1/4 lbs)

External dimensions (W x H x D):

285 x 101 x 288 mm (11-1/4" x 4" x 11-5/16")

Accessories

Remote Control Unit x 1

Owner's manual x 1

Audio Signal Cable x 1

Video Signal Cable x 1

Optical Cable x 1

Remote Control Cord x 1

• Design and specifications are subject to change without notice.

• Weight and dimensions are approximate.

本体

電源 100V AC 50-60Hz

消費電力 18W

外形寸法(W x H x D) 285mmx101mmx288mm

質量 3.3kg

許容動作温度 +5°C ~ +35°C

許容動作湿度 5% ~ 90% (結露のないこと)

許容保管温度 -20°C ~ +55°C

DVDプレーヤー部

レーザー セミコンダクターレーザー

信号方式 NTSC/PAL

周波数特性(デジタルオーディオ) 2Hz ~ 22kHz

SN比(デジタルオーディオ) 105dB

全高調波歪率 0.008%以下

ダイナミックレンジ(デジタルオーディオ) 92dB

ワウ・フラッター 測定限界以下($\pm 0.001\%$ W.PEAK)

出力

映像出力 1.0Vp-p, 75 Ω

S映像出力

Y出力レベル 1Vp-p, 75 Ω

C出力レベル(NTSC) 0.286Vp-p, 75 Ω

コンポーネントビデオ出力(Y, C_B, C_R)

Y出力レベル 1.0Vp-p, 75 Ω

C_B出力レベル 0.7Vp-p, 75 Ω

C_R出力レベル 0.7Vp-p, 75 Ω

音声出力(ライン) 2Vrms(1k Ω , 0.8dB)

付属品

リモコン

リモコン用乾電池(単4)x 2本

光デジタルケーブルx 1本

オーディオケーブルx 1本

映像ケーブルx 1本

リモコンコードx 1本

取扱説明書

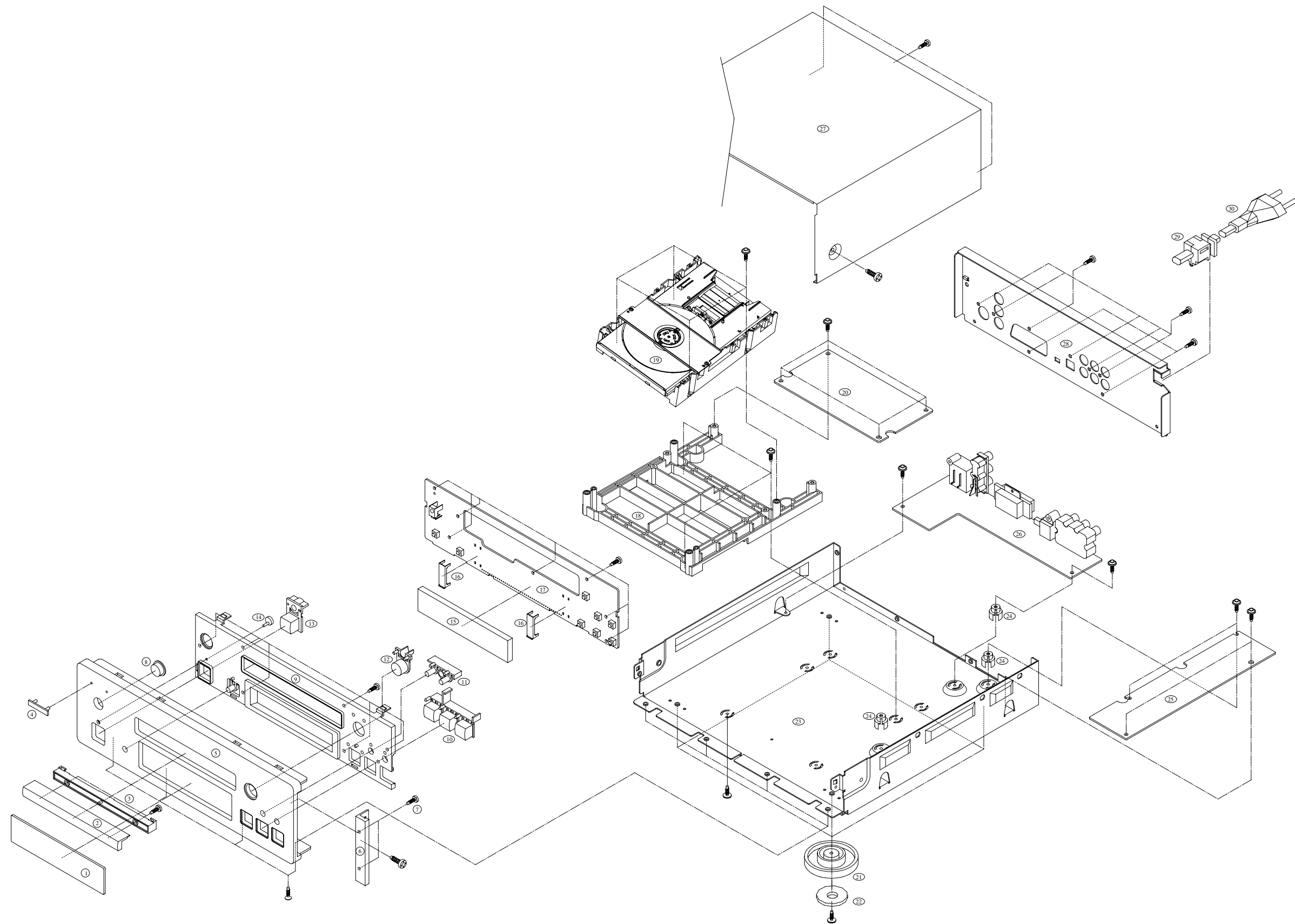
保証書

仕様及び外観は改善のため予告なく変更することがあります。

3 EXPLODED VIEWS AND PARTS LIST

分解図とパーツリスト

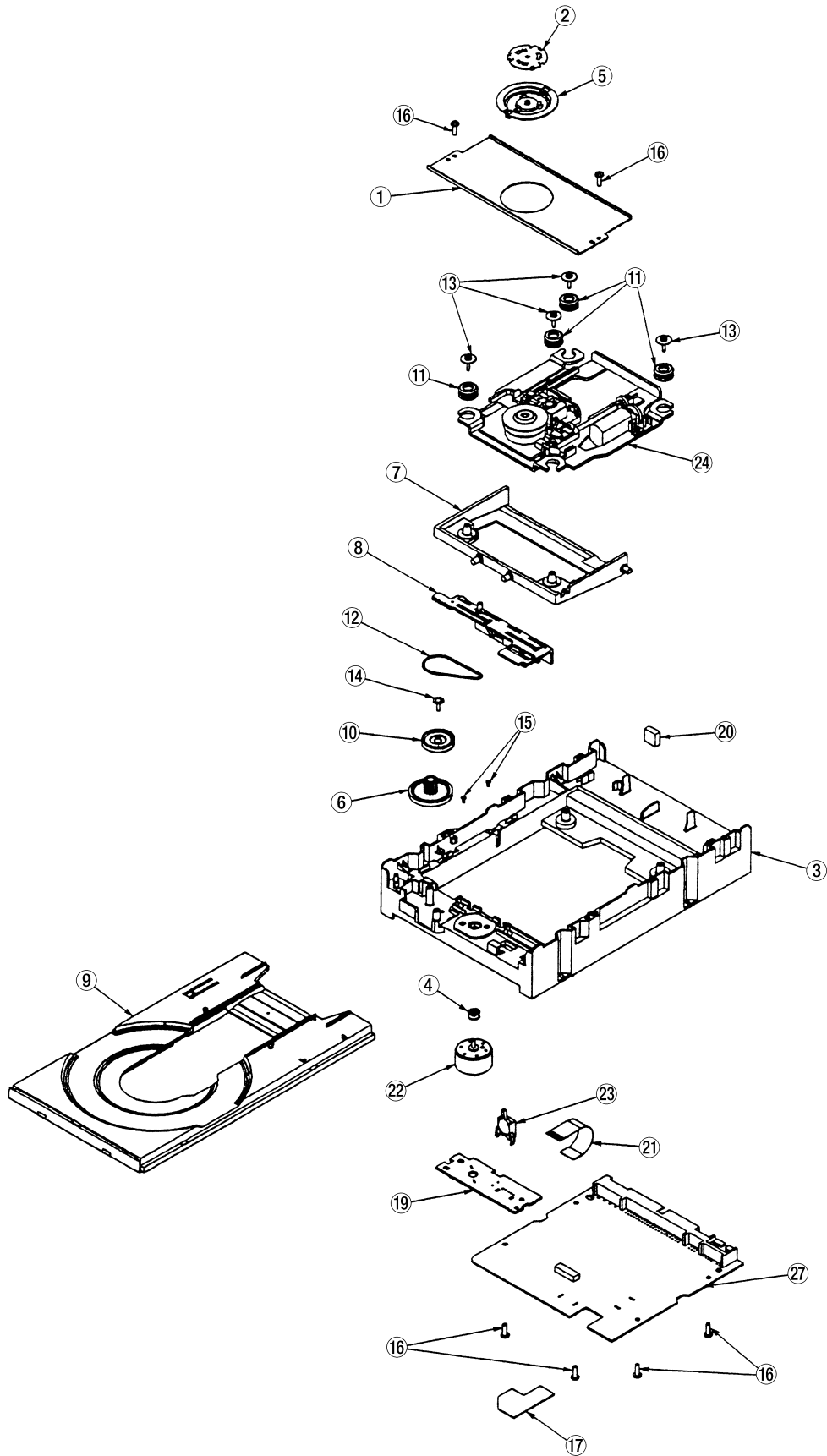
EXPLODED VIEW-1



EXPLODED VIEW-1

REF. NO.	PARTS NO.	DESCRIPTION	REMARKS
1- 1	9A06240500	WINDOW	KGU1A154Y
1- 2	9A09261600	ORNAMENT, DOOR	KGX1A310ZC11
1- 3	9A09261300	ORNAMENT, DOOR	KGR1A246K92
1- 4	9A06677900	BADGE	KGB1A047
1- 5	9A09261900	FRONT PANEL	KKM1A112ZC11
1- 6	9A06251600	BAR, SIDE	KKM1A051C11
1- 7	9A06229000	SCREW, SPECIAL	KHD1A016
1- 8	9A08792000	WINDOW, SENSOR	KGU1A245A10
1- 9	9A09261500	PANEL, SUB	KGW1A323M9K64
1-10	9A06316000	KNOB, TACT	KBT1A386WK64
1-11	9A06239700	KNOB, TACT	KBT1A410C13
1-12	9A06314300	KNOB, TACT (OPEN/CLOSE)	KBT1A385YK64
1-13	9A07301200	KNOB, POWER	KBT2A387ZK64
1-14	9A07301300	INDICATOR, POWER	KGL2A120
1-15	9A09255300	FIP DISPLAY	KFLHNV07SM08T
1-16	9A07290000	BRACKET, FLT	KMD1A374
1-17	9A09262100	FRONT PCB ASSY	KOP11464B
1-18	9A09256800	SUPPORT, MECHA	KMH1A141
1-19	9A09229600	1 DVD MECH (P/U), MGD-F6003A	BJDMGD-F6003A
1-20	9A09252200	1 DVD MAIN PCB ASSY [J]	KOP11445D
	9A09252210	1 DVD MAIN PCB ASSY [US, C]	KOP11445C
	9A09252220	1 DVD MAIN PCB ASSY [E, UK]	KOP11445B
1-21	9A06315500	FOOT	KKL1A047ZK63
1-22	9A06229300	CUSHION, FOOT	KHG1A039Z
1-23	9A09262600	CHASSIS, BOTTOM	KUA1A207
1-24	9A01375500	PCB HOLDER	KHE170
1-25	△ 9A09252400	POWER PCB SMPS ASSY [J, US, C]	KOP11489BSMPS
	△ 9A09252420	POWER PCB SMPS ASSY [E, UK]	KOP11489CSMPS
1-26	9A09262000	AV PCB ASSY [J, US, C]	KOP11458D
	9A09262020	AV PCB ASSY [E, UK]	KOP11458E
1-27	9A06251100	CABINET, TOP	KKC1B076S21
1-28	9A09261800	REAR PANEL	KKF1A229XK59
1-29	△ 9A06754900	BUSHING, AC CORD	KHR1A028
1-30	△ 9A08144000	POWER CORD [J]	BJA2J049Z
	△ 9A08043100	POWER CORD [UC, C]	BJA523FBY
	△ 9A08152100	POWER CORD [E]	BJA2B043Z
	△ 9A09267600	POWER CORD [UK]	BJA2E045Z
	9A08038100	RING, FERRITE	KLZ9W001Z

EXPLODED VIEW-2



EXPLODED VIEW-2 (MGD-F6003A)

REF. NO.	PARTS NO.	DESCRIPTION	REMARKS
2- 1	9A09462400	CLAMPER BKT	F6C 1001
2- 2	9A09462500	YORK (CLAMPER-T)	30D 1002
2- 3	9A09462600	CHASSIS	F6A 3001
2- 4	9A09462700	PULLEY (MOTOR)	F6D 3007
2- 5	9A09462800	CLAMPER	F6C 3008
2- 6	9A09462900	GEAR (LOAD)	F6D 3006
2- 7	9A09463000	HOLDER (TU)	F6C 3003
2- 8	9A09463100	SLIDER (CAM)	F6C 3004
2- 9	9A09463200	TRAY	F6A 3002
2-10	9A09463300	PULLEY (GEAR)	F6D 3005
2-11	9A09463400	INSULATOR	F6D 4003
2-12	9A09463500	DRIVE BELT	F6D 4002
2-13	9A09463600	SCREW (TU)	F5D 8010
2-14	9A09442300	SCREW (A2)	E1D 8012
2-15	9A09463700	SCREW, SEMS 1.7X3.5	N530047
2-16	9A09463800	SCREW, BIND TAPPING M2.6X8	N230001
2-17	9A09463900	SHEET (FFC-H)	F6D 8012
2-19	9A09464100	PCB (MECH)	F6A 9002
2-20	9A09464200	CUSHION (TU-R)	F6D 8022
2-21	9A09464300	FFC WIRE (24P)	F6D 9003
2-22	9A09464400	MOTOR, MDN3BT3DSA	91433174
2-23	9A09464500	LEVER SW, SSS-28-3	94402124
2-24	9A09464600	TRAVERSE UNIT, DVD1000J22B	90999033
2-27	9A09464900	PCB ASSY	P34-0020

4 ELECTRICAL PARTS LIST

電気パーツリスト

1 DVD MAIN PCB ASSY

REF. NO.	PARTS NO.	DESCRIPTION
	9A09252200	1 DVD MAIN PCB ASSY [J]
	9A09252210	1 DVD MAIN PCB ASSY [US, C]
	9A09252220	1 DVD MAIN PCB ASSY [E, UK]
	9A09259900	DVD MAIN PCB
CN10	9A09256300	WAFER, CARD CABLE
CN12	9A09256400	40P HEADER
IC01	9A09254200	IC, ES4318F
IC03	9A09260300	IC, FLASH MEMORY (4M)
IC07	9A09254500	IC, 74VHC04MX
IC08, IC09	△ 9A09254300	IC, RC1117ST
IC10, IC11	9A08149700	IC, 16M SDRAM
IC13	9A09260200	IC, EEPROM (16K)
IC14	9A09254100	IC, CS4955
L101, L102	9A05968600	COIL, BEAD
X101	9A09257100	CRYSTAL, CHIP (27MHZ SMD)

FRONT PCB ASSY

REF. NO.	PARTS NO.	DESCRIPTION
	9A09262100	FRONT PCB ASSY
	9A09262700	FRONT PCB
CN91	9A08867800	WAFER, CARD CABLE 15P
D901	9A08147300	LED, SLR342VCTB7 (RED)
D906, D911	9A01390500	DIODE, 1N4148MT
F901	9A09255300	FIP DISPLAY
IC91	9A09254000	IC, MICOM
IC92	9A08563600	SENSOR, REMOCON
L901, L902	9A05356900	COIL, 10UH K
PB91, PB92	9A07290000	BRACKET, FLT
Q901	9A08791000	TR, KRA107M
Q902, Q903	9A08791100	TR, KRC107M
Q904	9A08791000	TR, KRA107M
S901-S908	9A04882500	SW, TACT SKHV10910A
X901	9A09253900	RESONATOR, CERAMIC

AV PCB ASSY

REF. NO.	PARTS NO.	DESCRIPTION
	9A09262000	AV PCB ASSY [J, US, C]
	9A09262020	AV PCB ASSY [E, UK]
	9A09260000	AV PCB
CN10	9A09256300	WAFER, CARD CABLE
CN91	9A08870000	WAFER, CARD CABLE 15P
D501	9A01390600	DIODE, 1N4148T
IC51	△ 9A09260500	IC, KA79L08AZT
IC52	△ 9A09260400	IC, KA78L08AZT
IC53	9A07343300	IC, NJM2068MD-TE1
IC54	9A09254400	IC, XWM8706EDS
IC55	△ 9A07871100	IC, NJM7805FA
JK51	9A09256200	JACK, S-VIDEO (1P/H)
JK52	9A09256100	JACK, IN/OUT [J, US, C]
JK53	9A08152300	SCART CONNECTOR [E, UK]
JK54	9A06239100	MODULE, OPTICAL
JK55	9A09256000	PIN JACK BOARD (6P)
L501, L502	9A08158400	COIL, 1.8UH K
L503-L505	9A08148000	COIL, 2.7UH K
L506, L507	9A08158400	COIL, 1.8UH K
L508, L509	9A05356900	COIL, 10UH K
Q501	9A08791000	TR, KRA107M
Q502, Q503	9A05895900	TR, KTA1266YT
Q504	9A08791100	TR, KRC107M
Q505, Q506	9A05197500	TR, KTD1302T
SW51	9A06675300	SWITCH, SLIDE

5 INCLUDED ACCESSORIES

付属品

INCLUDED ACCESSORIES

REF. NO.	PARTS NO.	DESCRIPTION	REMARKS
	9A08902300	OWNER'S MNL, J [J]	KQX1A715Y
	9A08902100	OWNER'S MNL, E/F [US, C]	KQX1A731Z
	9A08902200	OWNER'S MNL, E/F/G/I/S [E, UK]	KQX1A730Z
	9A09252100	REMOCON ASSY	KARTDVH350
	9A08127600	BATTERY [J]	KABAAAM1.5V
	9A05935900	CORD, PIN	KJS4M014Y
	9A05936000	CORD, PIN	KJS4N001Y
	9A08130000	OPTICAL FIBER CABLE	KJS8H002Z
	9A08143300	CORD, PHONE	KJS4M011Y

1

2

3

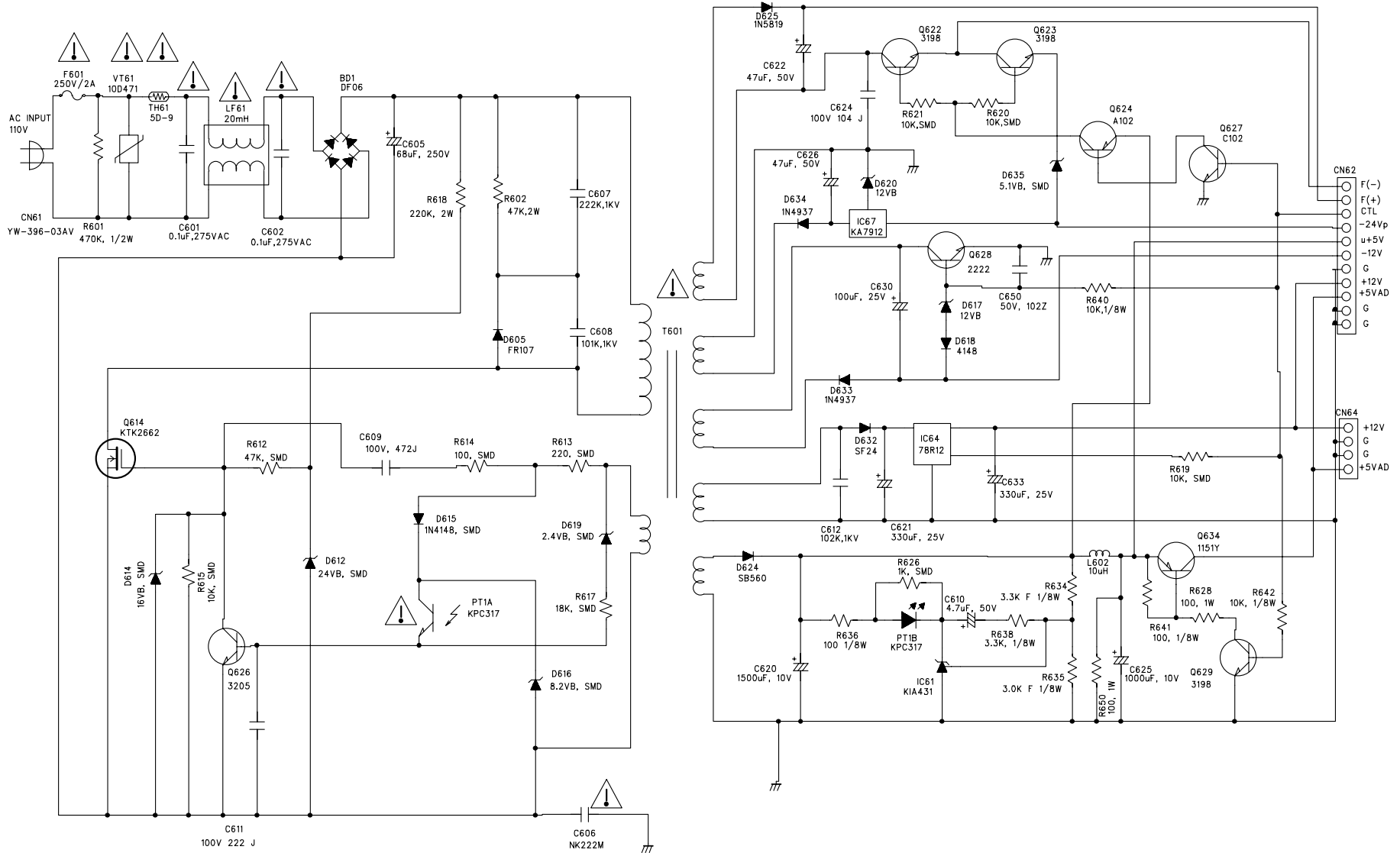
4

5

A

B

C

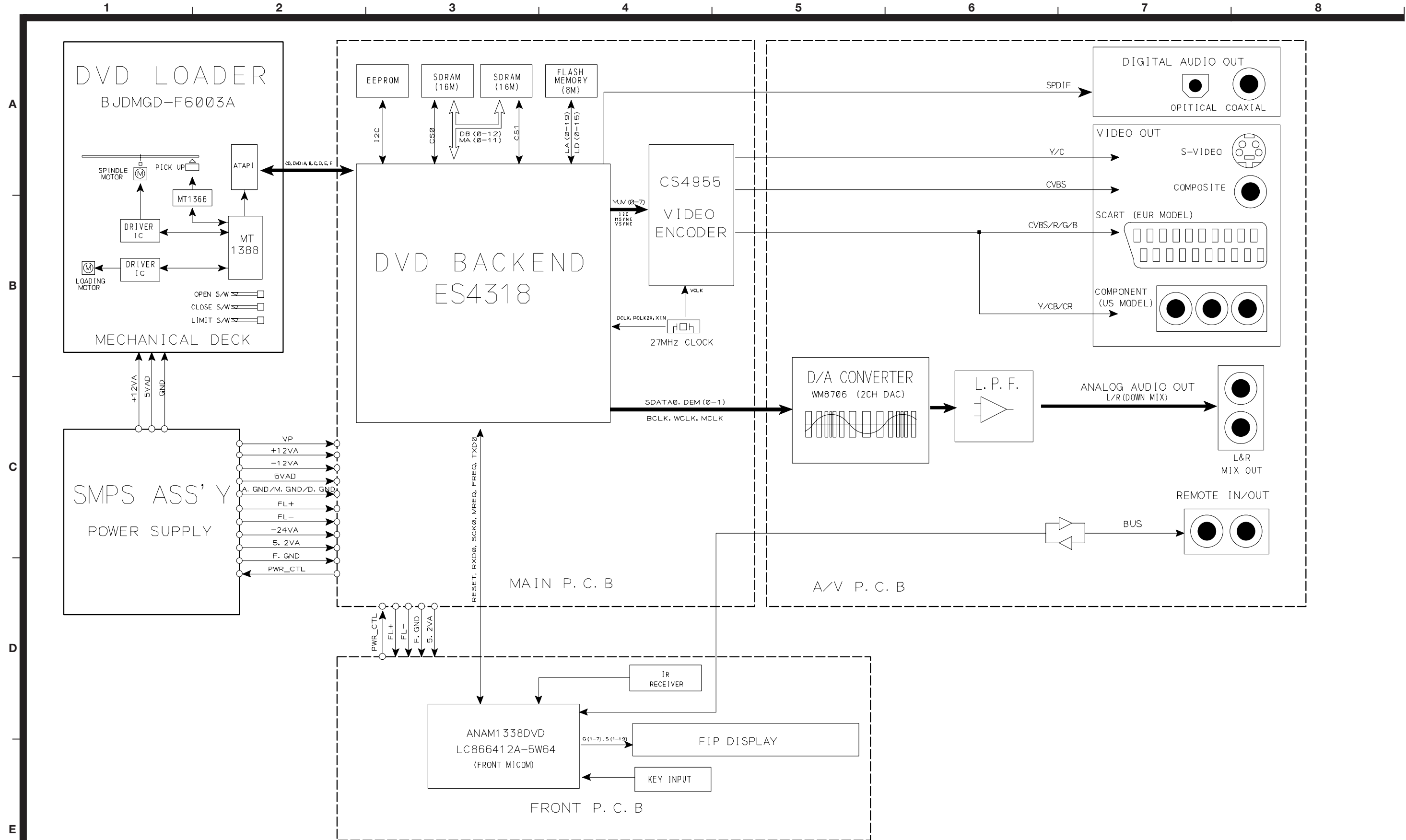


DV-H550/DV-H350

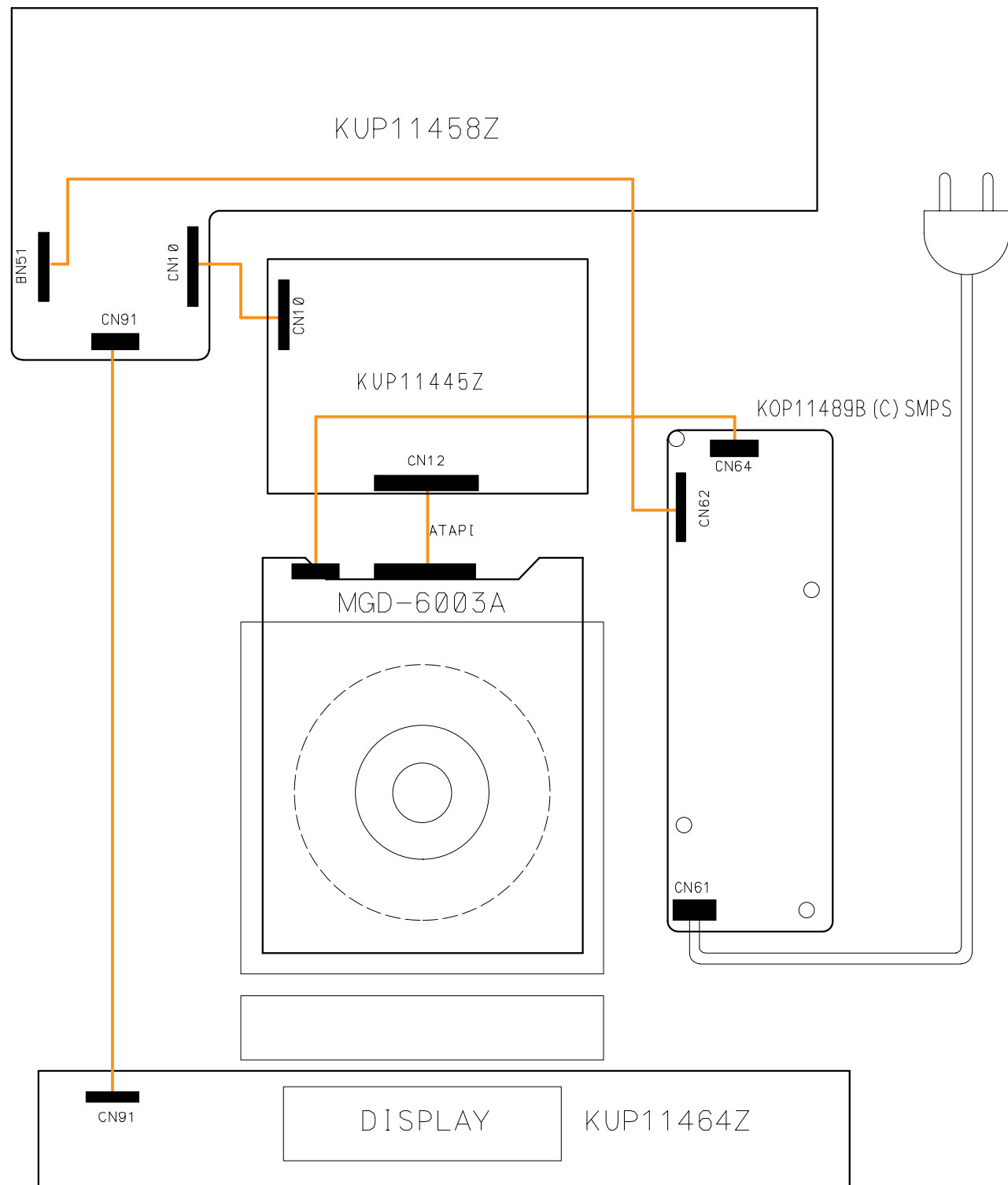
DVD Player

1 st Issue; November 2001

TEAC BLOCK DIAGRAM DV-H550



A
B
C
D
E



PIN DISCRPTION

CN91		CN10		CN12		CN62, BN51	
1	RESET	1	RESET	1	RESET	1	FL-
2	RXD0	2	5VAD	2	GND	2	FL+
3	A_MUTE	3	OPTICAL	3	D7	3	PWR_CTL
4	SCK0	4	5VAD	4	D8	4	VP
5	M_REQ	5	Y	5	D6	5	5.2VA
6	F_REQ	6	GND	6	D9	6	12V
7	TXD0	7	C	7	D5	7	GND
8	RMTSEL	8	GND	8	D10	8	12V
9	5.2VA	9	CVBS	9	D4	9	5VAD
10	BUS	10	GND	10	D11	10	GND
11	VP	11	RXD0	11	D3	11	GND
12	PWR_CTL	12	A MUTE	12	D12		
13	FL+	13	SCK0	13	D2		
14	FL-	14	M_REQ	14	D13		
15	GND	15	F_REQ	15	D1		
		16	TXD0	16	D14		
		17	GND	17	D0		
		18	BULE	18	D15		
		19	GREEN	19	GND		
		20	RED	20	KEY		
		21	GND	21	DRQ		
		22	TVSW	22	GND		
		23	PRE	23	IOW		
		24	DEM1	24	GND		
		25	DEM0	25	IOR		
		26	WCK	26	GND		
		27	SD0	27	IOCHROY		
		28	BCK	28	BALE		
		29	MCK	29	DACK		
		30	COAXIAL	30	GND		
				31	IRQ14		
				32	IICS16		
				33	A1		
				34	RESERVED		
				35	A0		
				36	A2		
				37	CS0		
				38	CS1		
				39	ACTIVITY		
				40	GND		

CN64	
1	12V
2	GND
3	GND
4	5VAD

TEAC SCHEMATIC DIAGRAM DV-H550 MAIN PCB

1 2 3 4 5 6 7 8

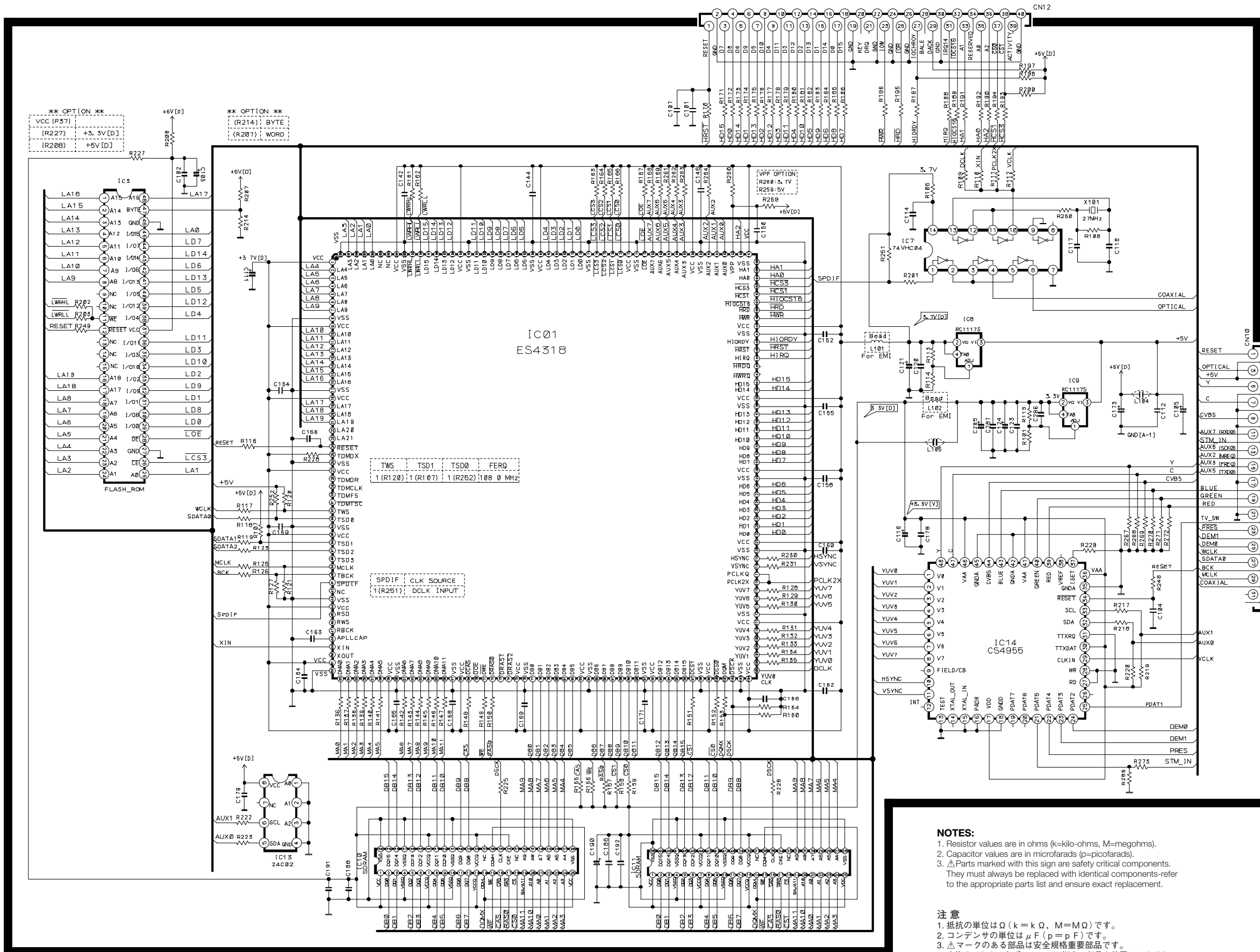
A

B

C

D

E

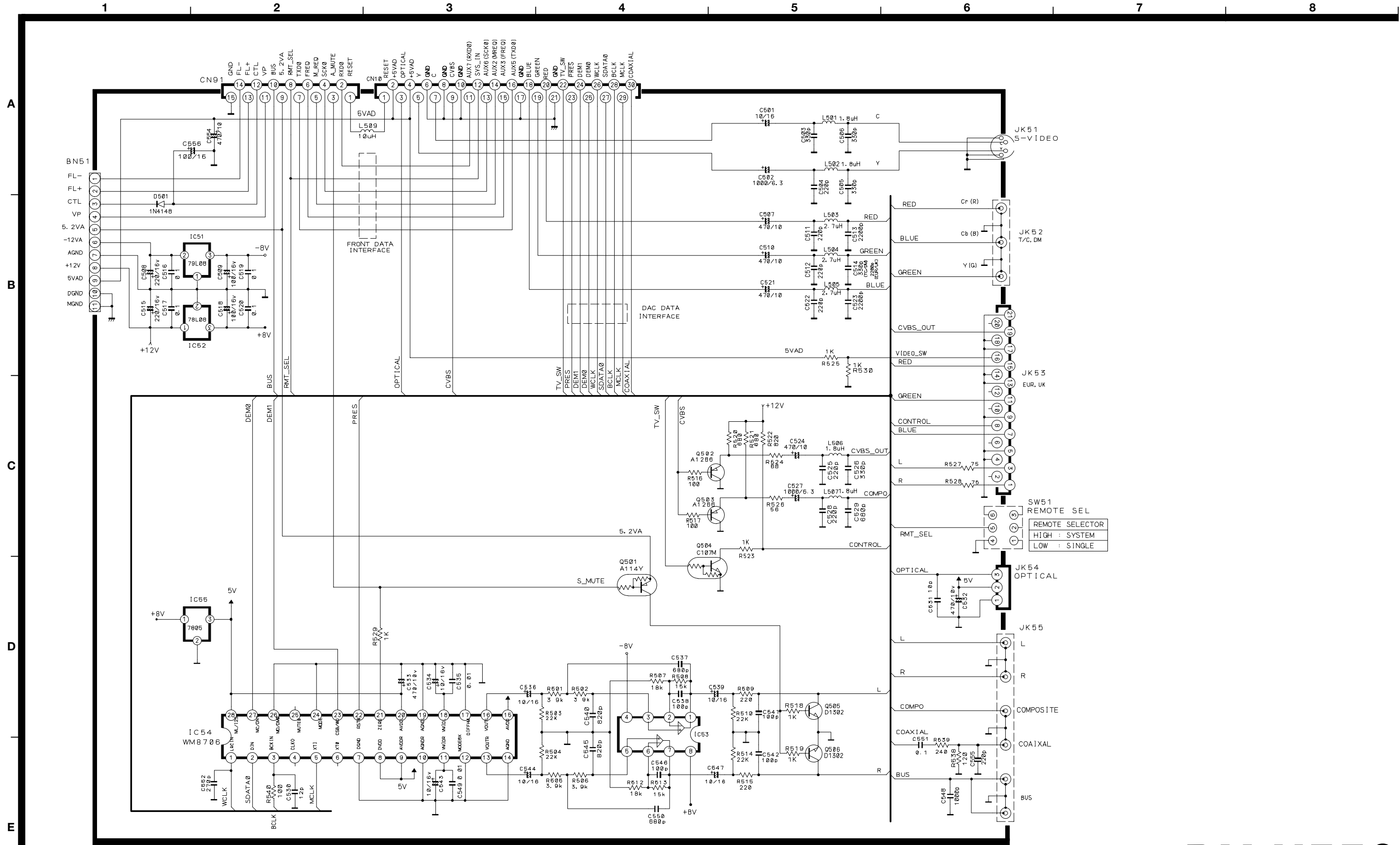


R101	360	R171	33	R241	NS	C141	0.01
R102	NS	R172	33	R242	NS	C142	NS
R103	NS	R173	33	R243	NS	C143	NS
R104	NS	R174	33	R244	NS	C144	0.01
R105	NS	R175	33	R245	NS	C145	NS
R106	0	R176	33	R246	NS	C146	0.01
R107	4.7K	R177	33	R247	NS	C147	NS
R108	1M	R178	33	R248	1K	C148	NS
R109	120	R179	33	R249	1K	C149	NS
R110	120	R180	33	R250	330	C150	0.1
R111	120	R181	33	R251	4.7K	C151	NS
R112	120	R182	33	R252	4.7K	C152	0.01
R113	220	R183	33	R253	NS	C153	NS
R114	430	R184	33	R254	NS	C154	0.01
R115	220	R185	33	R255	NS	C155	0.01
R116	1K	R186	33	R256	NS	C156	0.01
R117	10	R187	47	R257	NS	C157	NS
R118	10	R188	47	R258	NS	C158	0.01
R119	10	R189	47	R259	NC	C159	0.01
R120	4.7K	R190	33	R260	0	C160	0.01
R121	47K	R191	33	R261	47K	C161	NS
R122	NS	R192	33	R262	47K	C162	0.01
R123	10	R193	47	R263	47K	C163	100p
R124	NS	R194	47	R264	NS	C164	0.01
R125	10	R195	47	R265	NS	C165	0.01
R126	10	R196	47	R266	82	C166	0.01
R127	47K	R197	4.7K	R267	75	C167	NS
R128	33	R198	4.7K	R268	75	C168	0.01
R129	33	R199	NS	R269	56K	C169	0.1
R130	33	R200	4.7K	R270	120K	C170	NS
R131	33	R201	33	R271	0.1	C171	0.01
R132	33	R202	NC	R272	0.01	C172	NS
R133	33	R203	10	R273	100/6.3	C173	100/6.3
R134	33	R204	NS	R274	NC	C174	NS
R135	33	R205	NS	R275	100/6.3	C175	NS
R136	10	R206	NS	R276	NS	C176	NS
R137	10	R207	NC	R277	NC	C177	NS
R138	10	R208	0	R278	NS	C178	0.1
R139	10	R209	NS	R279	NS	C179	0.01
R140	10	R210	NS	R280	NS	C180	NS
R141	10	R211	NS	R281	100/6.3	C181	NS
R142	10	R212	NS	R282	0.1	C182	NS
R143	10	R213	NS	R283	NS	C183	NS
R144	10	R214	0	R284	0.1	C184	NS
R145	10	R215	NS	R285	NS	C185	NS
R146	10	R216	NS	R286	47/6.3	C186	0.01
R147	10	R217	100	R287	27P	C187	NS
R148	33	R218	100	R288	27P	C188	0.01
R149	33	R219	1.5K	R289	NS	C189	NS
R150	33	R220	1.5K	R290	0.01	C190	47/6.3
R151	33	R221	NS	R291	100/6.3	C191	0.1
R152	33	R222	100	R292	NS	C192	0.1
R153	33	R223	100	R293	0.01	C193	330/6.3
R154	47K	R224	NS	R294	100/6.3	C194	0.1
R155	47K	R225	10	R295	NS	C195	0.1
R156	47K	R226	10	R296	NS	C196	0.1
R157	47K	R227	NC	R297	NS	C197	NS
R158	47K	R228	4.7K	R298	NS	C198	NS
R159	47K	R229	4K	R299	NS	C199	NS
R160	47K	R230	33	R300	NS	C200	NS
R161	NC	R231	33	R301	NS	L101	Bead
R162	47K	R232	NS	R302	NS	L102	Bead
R163	47K	R233	NS	R303	NS	L103	NS
R164	47K	R234	NS	R304	NS	L104	0
R165	47K	R235	NS	R305	NS	L105	0
R166	47K	R236	NS	R306	NS		
R167	47K	R237	NS	R307	NS		
R168	47K	R238	NS	R308	NS		
R169	47K	R239	NS	R309	NS		
R170	47	R240	NS	R310	NS		

NOTES:
 1. Resistor values are in ohms (k=kilo-ohms, M=megohms).
 2. Capacitor values are in microfarads (p=picofarads).
 3. Δ Parts marked with this sign are safety critical components. They must always be replaced with identical components-refer to the appropriate parts list and ensure exact replacement.

注意
 1. 抵抗の単位はΩ (k=kΩ, M=MΩ) です。
 2. コンデンサの単位はμF (p=pF) です。
 3. Δ マークのある部品は安全規格重要部品です。交換するときは必ずテック指定の部品を使用してください。

TEAC SCHEMATIC DIAGRAM DV-H550 AV PCB



INSTRUCTIONS FOR SERVICE PERSONNEL
BEFORE RETURNING APPLIANCE TO THE CUSTOMER, MAKE LEAKAGE-CURRENT OR RESISTANCE MEASUREMENTS TO DETERMINE THAT EXPOSED PARTS ARE ACCEPTABLY INSULATED FROM THE SUPPLY CIRCUIT.

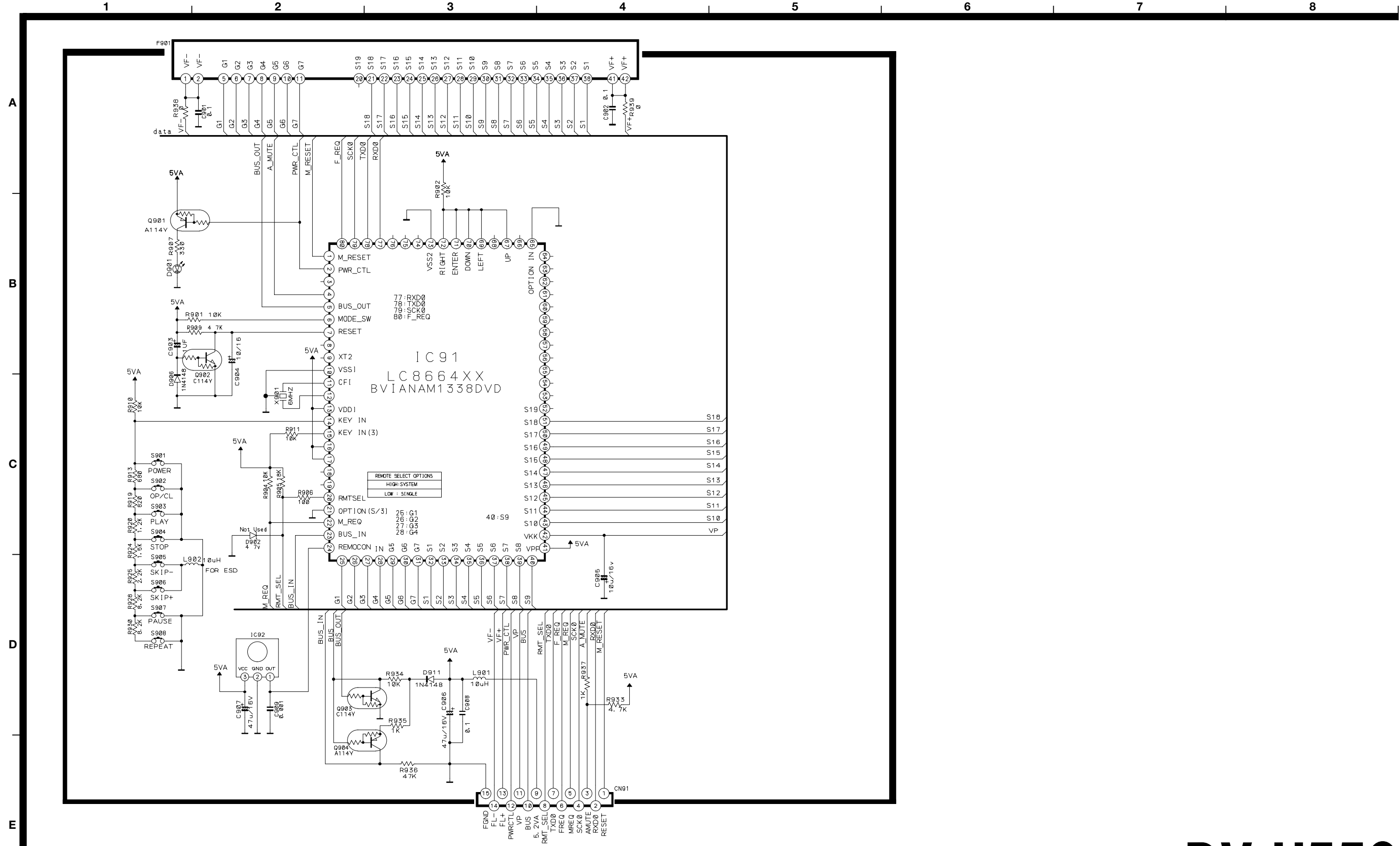
NOTES:
 1. Resistor values are in ohms (k=kilo-ohms, M=megohms).
 2. Capacitor values are in microfarads (p=picofarads).
 3. Δ Parts marked with this sign are safety critical components. They must always be replaced with identical components-refer to the appropriate parts list and ensure exact replacement.

注意
 1. 抵抗の単位は Ω (k=k Ω , M=M Ω)です。
 2. コンデンサの単位は μF (p=pF)です。
 3. Δ マークのある部品は安全規格重要部品です。交換するときは必ずテック指定の部品を使用してください。

DV-H550

DVD Player

TEAC SCHEMATIC DIAGRAM DV-H550 FRONT PCB



INSTRUCTIONS FOR SERVICE PERSONNEL
BEFORE RETURNING APPLIANCE TO THE CUSTOMER, MAKE LEAKAGE-CURRENT OR RESISTANCE MEASUREMENTS TO DETERMINE THAT EXPOSED PARTS ARE ACCEPTABLY INSULATED FROM THE SUPPLY CIRCUIT.

NOTES:
 1. Resistor values are in ohms (k=kilo-ohms, M=megohms).
 2. Capacitor values are in microfarads (p=picofarads).
 3. Δ Parts marked with this sign are safety critical components. They must always be replaced with identical components-refer to the appropriate parts list and ensure exact replacement.

注意
 1. 抵抗の単位は Ω (k=k Ω , M=M Ω) です。
 2. コンデンサの単位は μF (p=pF) です。
 3. Δ マークのある部品は安全規格重要部品です。交換するときは必ずティアック指定の部品を使用してください。

DV-H550 DVD Player